



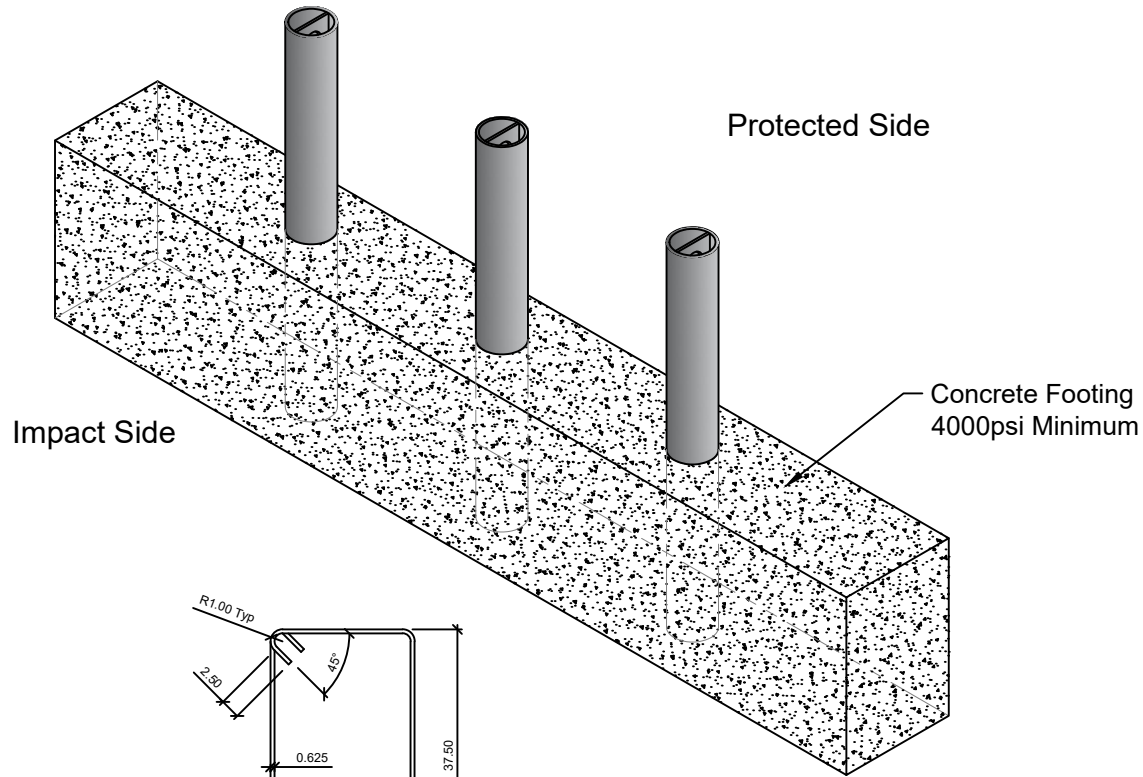


# 1-800-BOLLARDS

The Bollard Experts

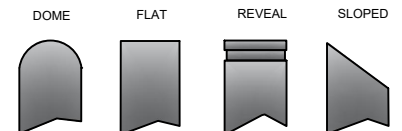
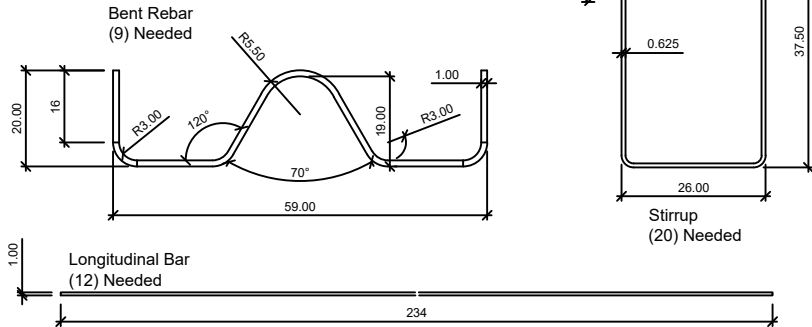
- SELECT DESIRED MATERIAL:
- RDMSSM50 STAINLESS STEEL F2656-20 M50 \*eng
  - RDMCSM50 CARBON STEEL F2656-20 M50 \*eng
- SELECT DESIRED STAINLESS STEEL BOLLARD FINISH:
- POLISHED #4 FINISH
  - AS SPECIFIED \_\_\_\_\_
- SELECT DESIRED CARBON STEEL BOLLARD FINISH:
- POWDER COAT RAL # \_\_\_\_\_
  - AS SPECIFIED \_\_\_\_\_
- SELECT DESIRED STAINLESS STEEL BOLLARD MATERIAL:
- TYPE 304
  - TYPE 316
- SELECT DESIRED BOLLARD CAP STYLE:
-  DOME
  -  FLAT
  -  REVEAL
  -  SLOPED



REVISIONS			
LTR	DESCRIPTION	DATE	APP'VD
COMMENTS			

**SPECIFICATIONS**  
HEIGHT: 48"  
DIAMETER: 10.75"  
WALL THICKNESS: .844"

Foundation Rebar Details  
A615 Gr 60 Material



**NOTES:**  
1. INSTALLATION TO BE COMPLETED IN ACCORDANCE WITH MANUFACTURER'S SPECIFICATIONS.  
2. DO NOT SCALE DRAWING.  
3. THIS DRAWING IS INTENDED FOR USE BY ARCHITECTS, ENGINEERS, CONTRACTORS, CONSULTANTS AND DESIGN PROFESSIONALS FOR PLANNING AND INSTALLATION PURPOSES.  
4. ALL INFORMATION CONTAINED HEREIN WAS CURRENT AT THE TIME OF DEVELOPMENT BUT MUST BE REVIEWED AND APPROVED BY THE PRODUCT MANUFACTURER TO BE CONSIDERED ACCURATE.

APPLICATION		SERIES NUMBER: M50 DEEP MOUNT		CAGE CODE: M50	SIZE: 8	DRAWING NUMBER: M50DMF
NEXT ASSY	USED ON	PRODUCT FAMILY: 50 MPH CRASH TESTED	PRODUCT CLASS: STANDARD OR CUSTOMER DEFINED	PRODUCT LINE: BOLLARD	PRODUCT SUB LIND: REMOVABLE	TITLE: BOLLARD, M50 REMOVABLE
		1-800-BOLLARDS, Inc. 10 Hughes Suite 4105 Irwin, CA 95618 PHONE: 1-800-BOLLARDS WEB: WWW.1800BOLLARDS.COM EMAIL: INFO@1800BOLLARDS.COM	DRAWN BY: AJA	CHECKED BY:	BRWING REV:	SHEET 1 OF 1
					APPROVED BY:	RELEASE DATE: 1-3-2023

# 1-800-BOLLARDS

The Bollard Experts

SELECT DESIRED MATERIAL:

- RDMSSM50 STAINLESS STEEL F2656-20 M50 \*eng
- RDMCSM50 CARBON STEEL F2656-20 M50 \*eng

SELECT DESIRED STAINLESS STEEL BOLLARD FINISH:

- POLISHED #4 FINISH
- AS SPECIFIED \_\_\_\_\_

SELECT DESIRED CARBON STEEL BOLLARD FINISH:

- POWDER COAT RAL # \_\_\_\_\_
- AS SPECIFIED \_\_\_\_\_

SELECT DESIRED STAINLESS STEEL BOLLARD MATERIAL:

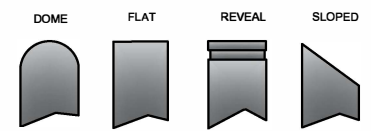
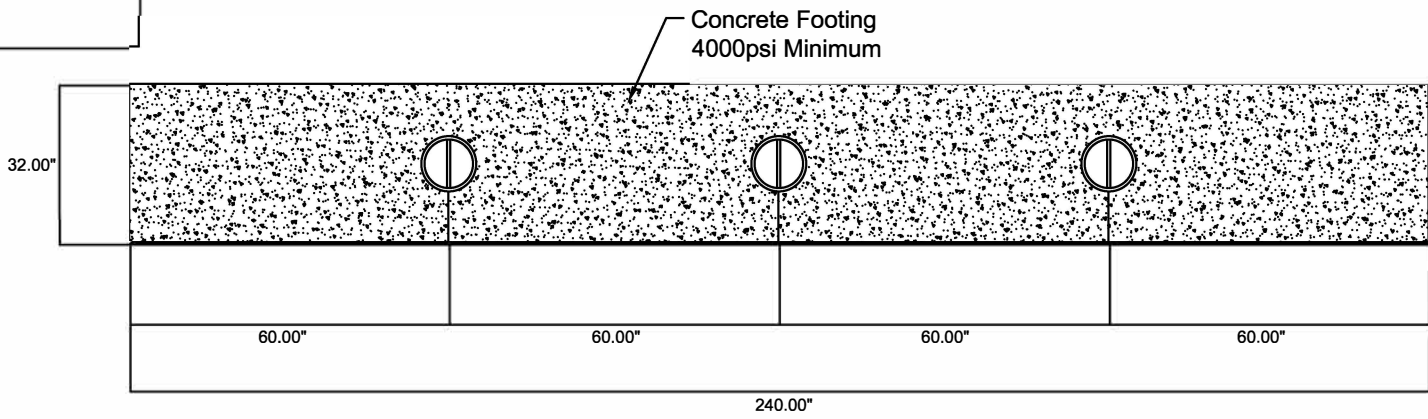
- TYPE 304
- TYPE 316

SELECT DESIRED BOLLARD CAP STYLE:

-  DOME
-  FLAT
-  REVEAL
-  SLOPED

REVISIONS			
LTR	DESCRIPTION	DATE	APP

**SPECIFICATIONS**  
 HEIGHT: 48"  
 DIAMETER: 10.75"  
 WALL THICKNESS: .877"







**NOTES:**  
 1. INSTALLATION TO BE COMPLETED IN ACCORDANCE WITH MANUFACTURER'S SPECIFICATIONS.  
 2. DO NOT SCALE DRAWING.  
 3. THIS DRAWING IS INTENDED FOR USE BY ARCHITECTS, ENGINEERS, CONTRACTORS, CONSULTANTS AND DESIGN PROFESSIONALS FOR PLANNING AND INSTALLATION PURPOSES.  
 4. ALL INFORMATION CONTAINED HEREIN WAS CURRENT AT THE TIME OF DEVELOPMENT BUT MUST BE REVIEWED AND APPROVED BY THE PRODUCT MANUFACTURER TO BE CONSIDERED ACCURATE.

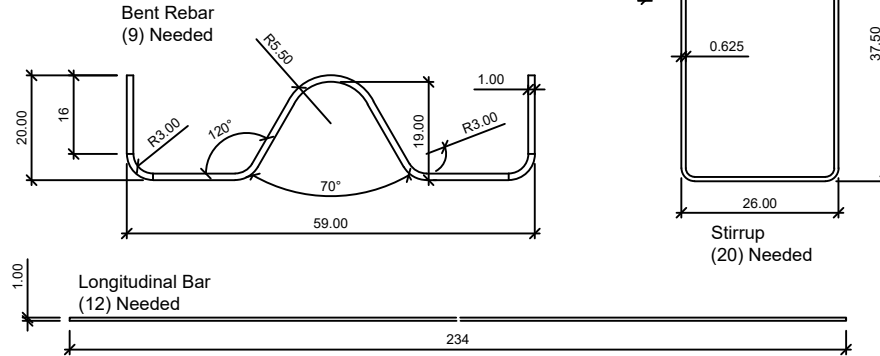
ORDER NUMBER	M50 DEEP MOUNT	CASE CODE	MS0	REV	8	DRAWING NUMBER	M50DMF
PRODUCT FAMILY	50 MPH CRASH TESTED	DESIGNED BY	AJA	DRAWING REV			
PRODUCT CLASS	STANDARD OR CUSTOMER	DESIGNED BY		DRAWING REV			
PRODUCT STYLE	REMOVABLE	APPROVED BY		ISSUE 1 OF 1			
PRODUCT AND LINE	REMOVABLE	APPROVED BY		RELEASE DATE	1-3-2023		
PROJECT	1-800-BOLLARDS, INC. 10 Hughes St Irvine, CA 92618	FIELD					
PROJECT	1-800-BOLLARDS						BOLLARD, M50 REMOVABLE

# 1-800-BOLLARDS

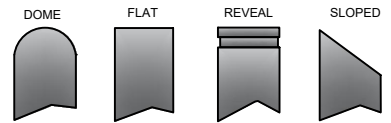
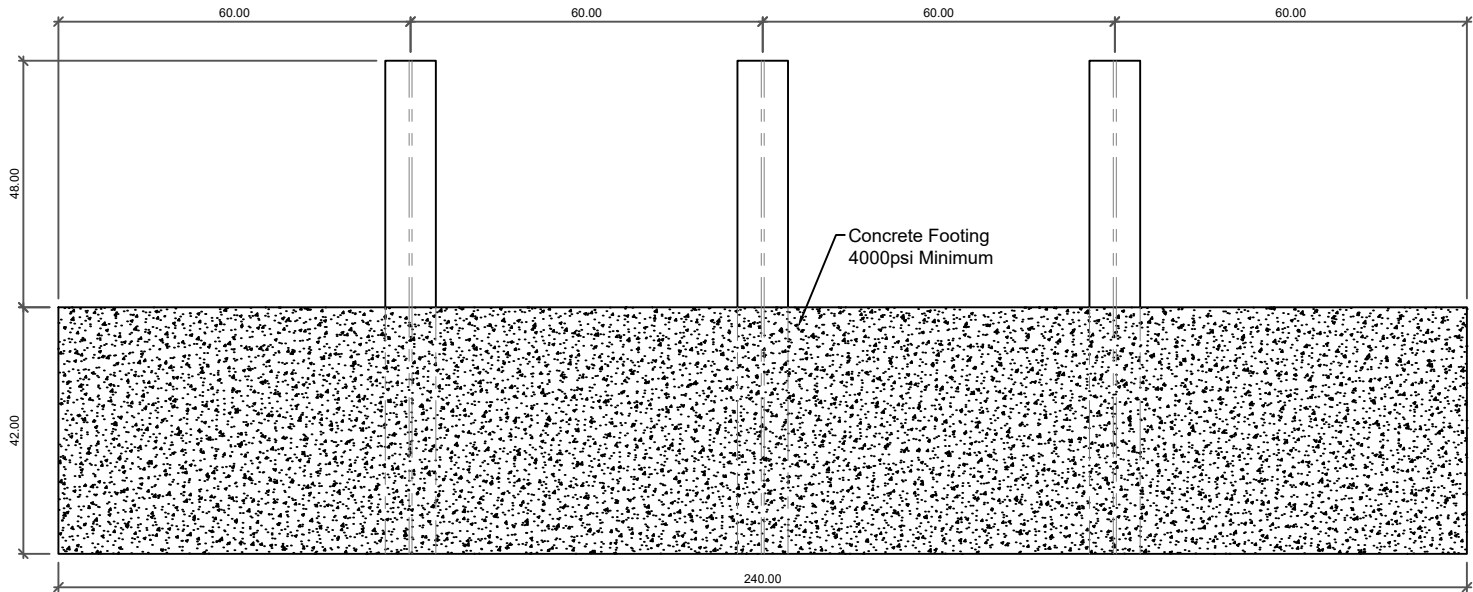
**The Bollard Experts**

- SELECT DESIRED MATERIAL: (8" NOMINAL SIZE)
  - RDMSSM50 STAINLESS STEEL F2656-20 M50 \*eng
  - RDMCSM50 CARBON STEEL F2656-20 M50 \*eng
- SELECT DESIRED STAINLESS STEEL BOLLARD FINISH:
  - POLISHED #4 FINISH
  - AS SPECIFIED \_\_\_\_\_
- SELECT DESIRED CARBON STEEL BOLLARD FINISH:
  - POWDER COAT RAL # \_\_\_\_\_
  - AS SPECIFIED \_\_\_\_\_
- SELECT DESIRED STAINLESS STEEL BOLLARD MATERIAL:
  - TYPE 304
  - TYPE 316
- SELECT DESIRED BOLLARD CAP STYLE:
  -  DOME
  -  FLAT
  -  REVEAL
  -  SLOPED

Foundation Rebar Details  
A615 Gr 60 Material



REVISIONS			
LTR	DESCRIPTION	DATE	APPVD
COMMENTS			
SPECIFICATIONS			
HEIGHT: 48"			
DIAMETER: 10.75"			
WALL THICKNESS: .877"			



NOTES:  
1. INSTALLATION TO BE COMPLETED IN ACCORDANCE WITH MANUFACTURER'S SPECIFICATIONS.  
2. DO NOT SCALE DRAWING.  
3. THIS DRAWING IS INTENDED FOR USE BY ARCHITECTS, ENGINEERS, CONTRACTORS, CONSULTANTS AND DESIGN PROFESSIONALS FOR PLANNING AND INSTALLATION PURPOSES.  
4. ALL INFORMATION CONTAINED HEREIN WAS CURRENT AT THE TIME OF DEVELOPMENT BUT MUST BE REVIEWED AND APPROVED BY THE PRODUCT MANUFACTURER TO BE CONSIDERED ACCURATE.

APPLICATION		SERIES NUMBER: M50 REMOVABLE DEEP				CAGE CODE: M50	SIZE: 8	DRAWING NUMBER: MS0DMF
NEXT ASSY	USED ON	PRODUCT FAMILY:	50 MPH CRASH TESTED	DRAWN BY:	AJA	CHECKED BY:		DRAWING REV:
		PRODUCT CLASS:	STANDARD OR CUSTOMER DEFINED	PRODUCT LINE:	BOLLARD	APPROVED BY:		SHEET: 1 OF 1
		PRODUCT SUB LINE:	REMOVABLE			RELEASE DATE:	1-3-2023	TITLE:
		1-800-BOLLARDS, Inc. 10 Hughes Suite A105 Irvine, CA 92618 PHONE: 1-800-BOLLARDS WEB: WWW.1800BOLLARDS.COM EMAIL: INFO@1800BOLLARDS.COM						BOLLARD, M50 REMOVABLE